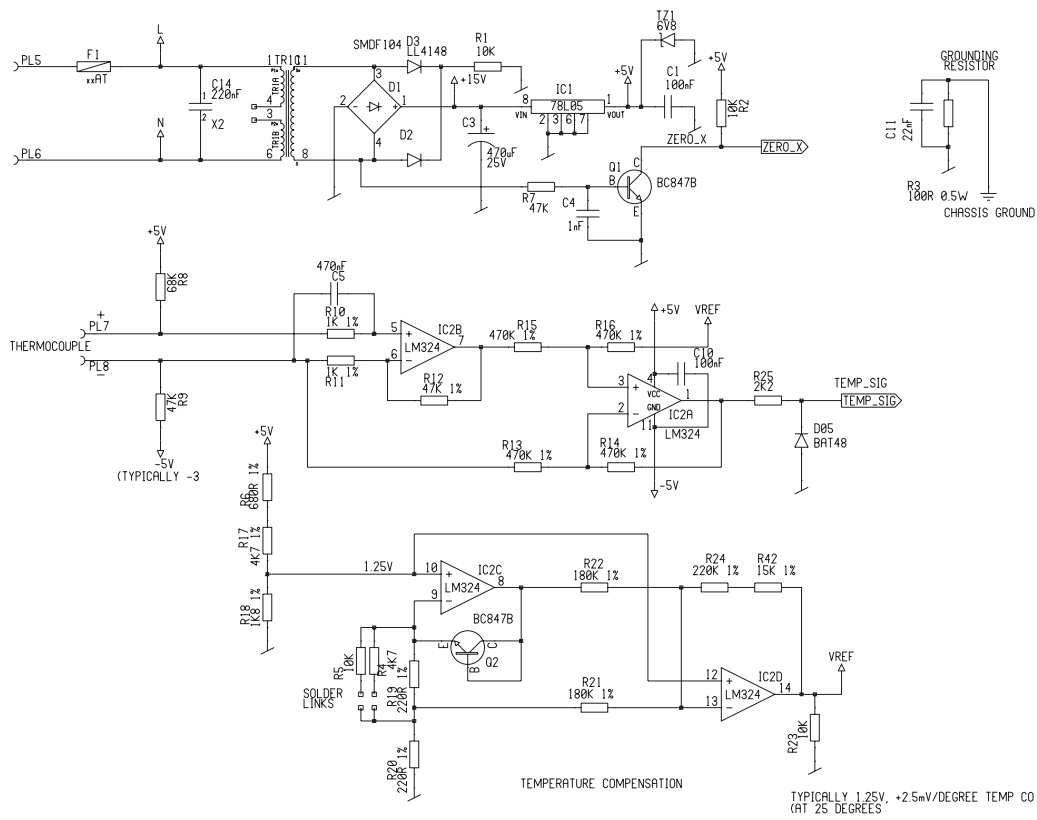


PRODUCT		ENC.	
MAGNUM 1500		MARTIN MANUFACTURING (UK) PLC	
NAME		REVISION	PAGE
01201021.SCH		E	2 OF 2
		DRAWN BY	
		DATE	TIME
		30/06/04	12:32



PRODUCT	MAGNUM 1500	ENG	MARTIN MANUFACTURING (UK) PLC	
NAME	01201021.SCH	REVISION	E	PAGE 1 OF 2
		DRAWN BY	NJS	
		DATE	30/06/04	TIME 9:57